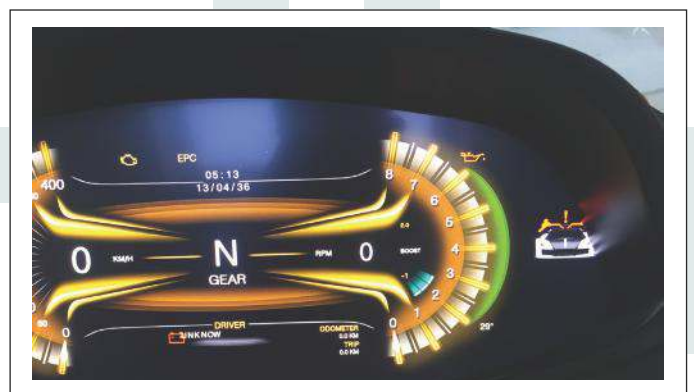
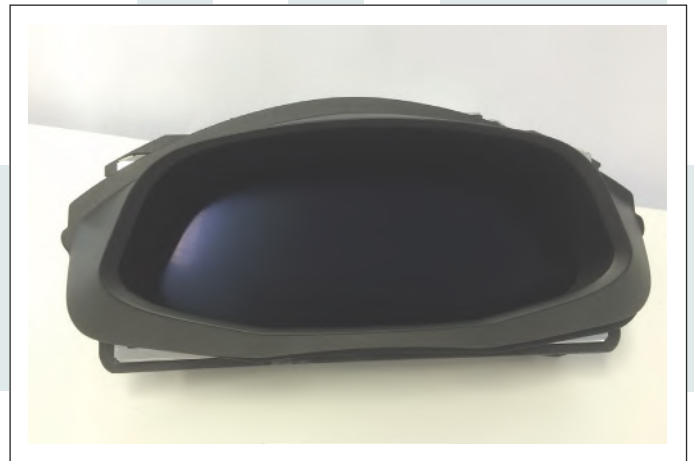


# Automotive Instrument Cluster

## Model: KI-10.25-1

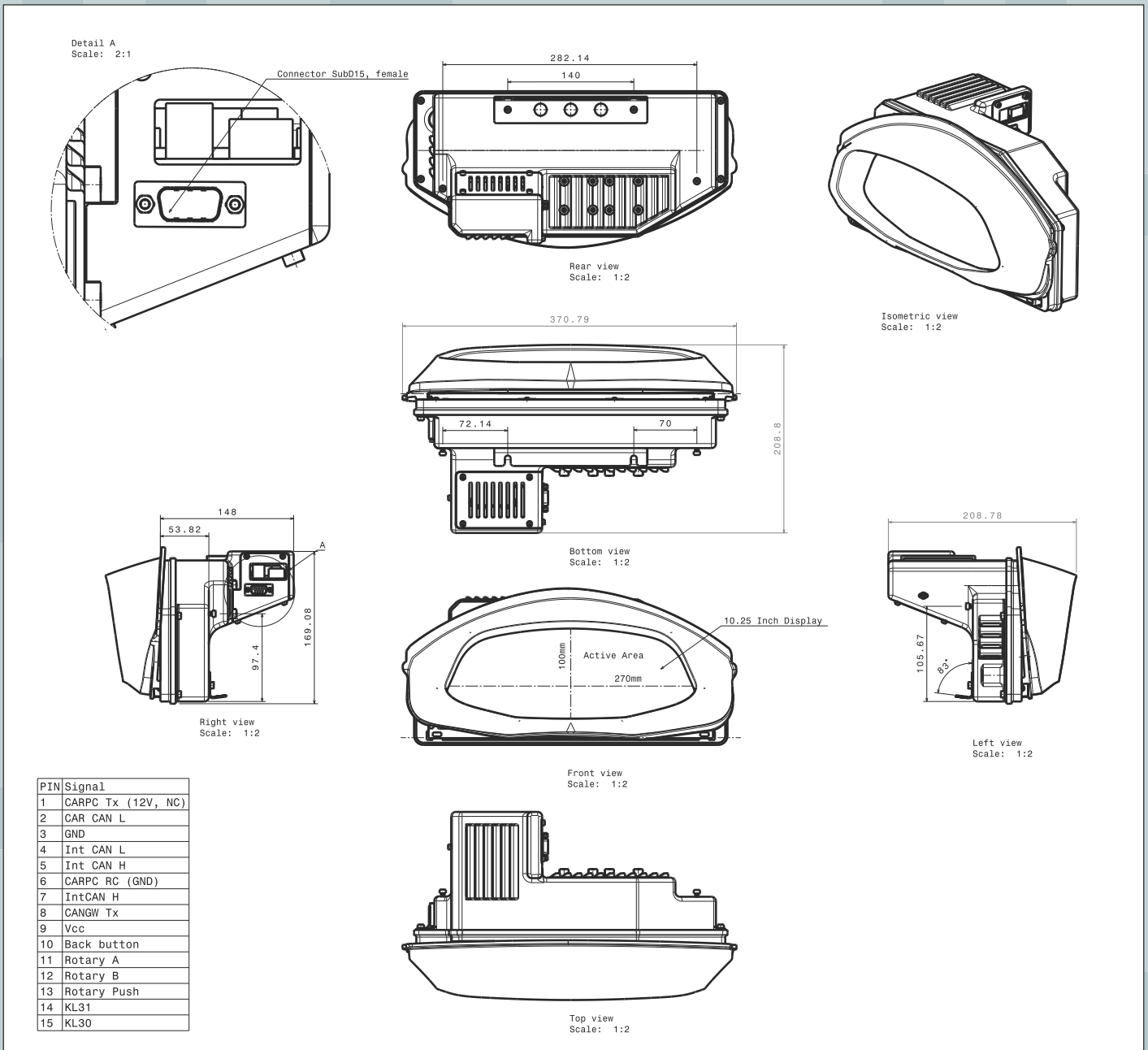
The instrument cluster with integrated iMX6 Car Computer, 10.25 inch display and Car PC has been specially developed for installation in vehicles, for example, sports cars and special vehicles. It fulfills the highest requirements; including high sunlight readability and robustness.

- › Scope of application: vehicle installation
- › Processor: iMX6
- › 10,25 Inch Display, 1372 X3 (RGB) X 518
- › Display Technology: IPS
- › Brightness display: 1000 cd/m<sup>2</sup> (Typ)
- › Contrast display: 1000:1
- › Dimensions outside: 370,8 mm x 169,0 mm x 208,8 mm
- › Sunlight readable with anti-glare and anti-reflective glass coating and Optical Bonding
- › Viewing angle horizontal 85°, vertical 85°
- › Supply voltage CL30, 12V DC
- › Port: DB9 connector
- › Weight: < 3,5 Kg
- › HMI Options:
  - › Adjustment of brightness, contrast and colour
  - › Setup date and time
  - › Text display - for example, driver name
  - › Logo presentation
  - › Trip meter - travelled route



# Detail View of the Instrument Cluster

## Model: KI-10.25-1



KI-10.25-1 03.11.2016 EN

SemsoTec GmbH  
Schleißheimer Straße 91a  
D-85748 Garching

Tel.: +49 (0)89 324 9047 20  
Fax: +49 (0)89 324 9047 44  
info@semsotec.de